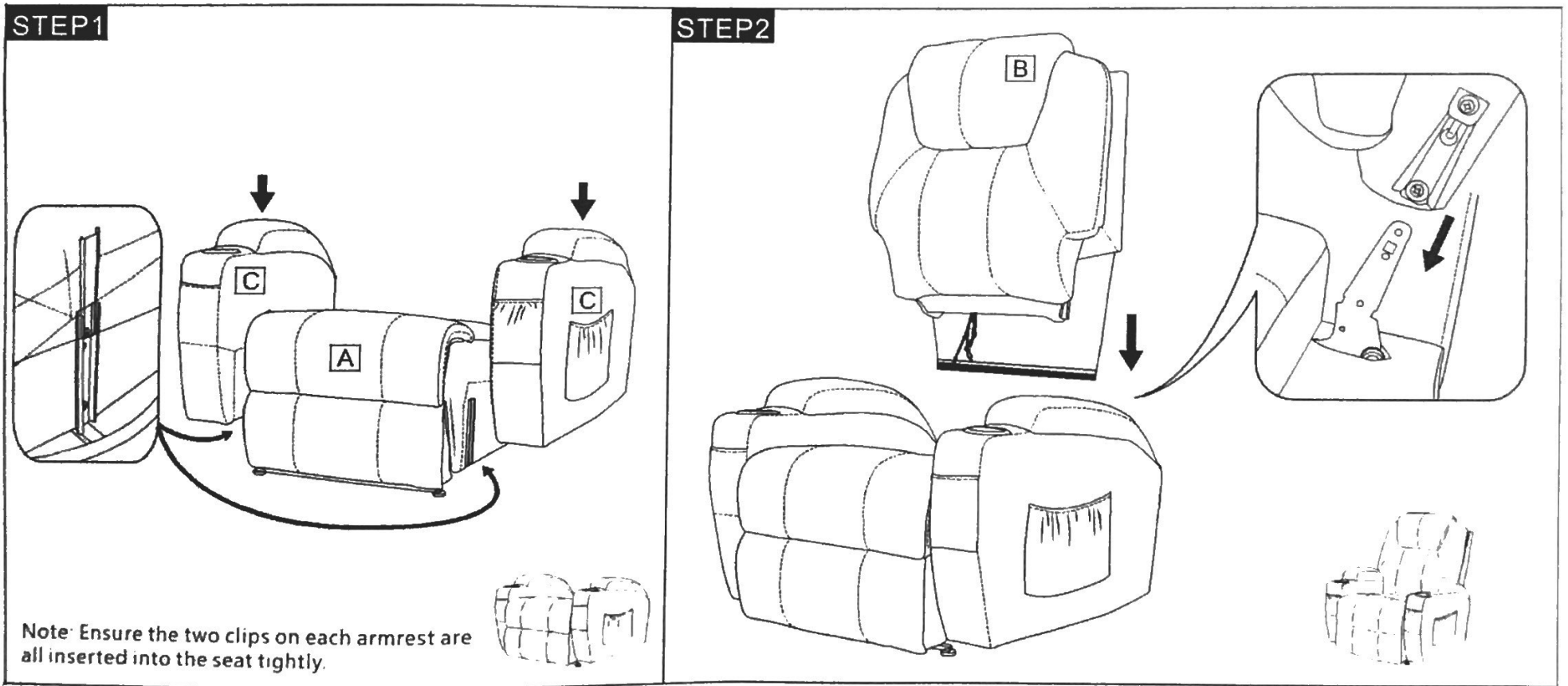


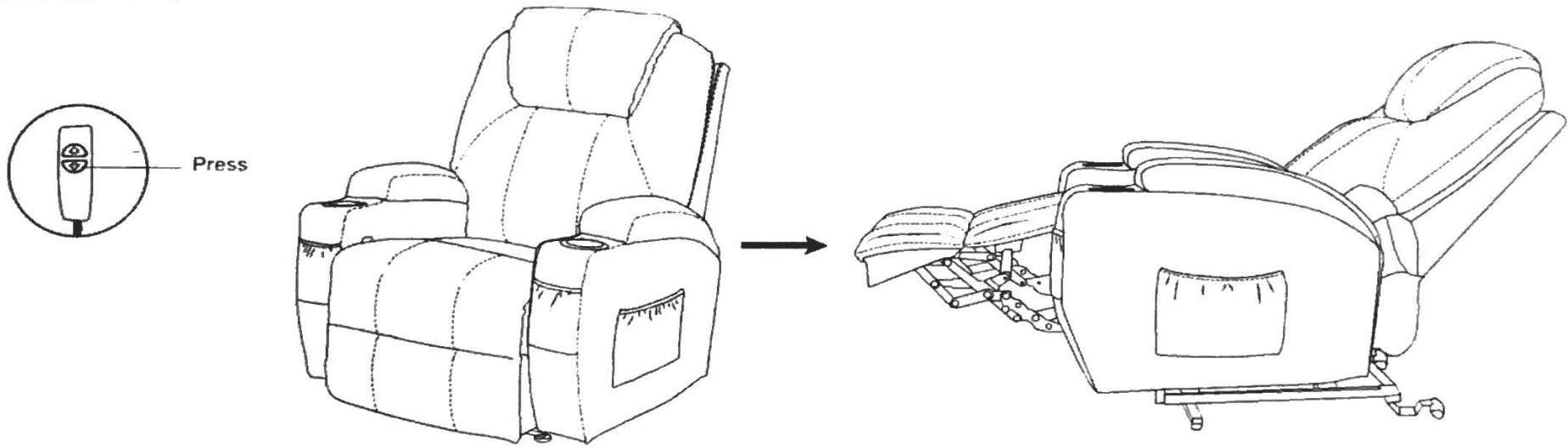
Massage Recliner Assembly Instruction

| | | | | | | | | |
|-----------------|-----------------|------------------------|-----------------|-----------------|-----------------|-----------------|------------------------|-----------------|
| <p>A x1</p> | <p>B x1</p> | <p>C x2</p> | <p>D x1</p> | <p>E x1</p> | <p>F x1</p> | <p>G x1</p> | <p>H x2 x4</p> | <p>I x1</p> |
| Chair base | Backrest | Left and right armrest | Power cord | Massagecontrol | Power Source | Lift control | Parts | Line |

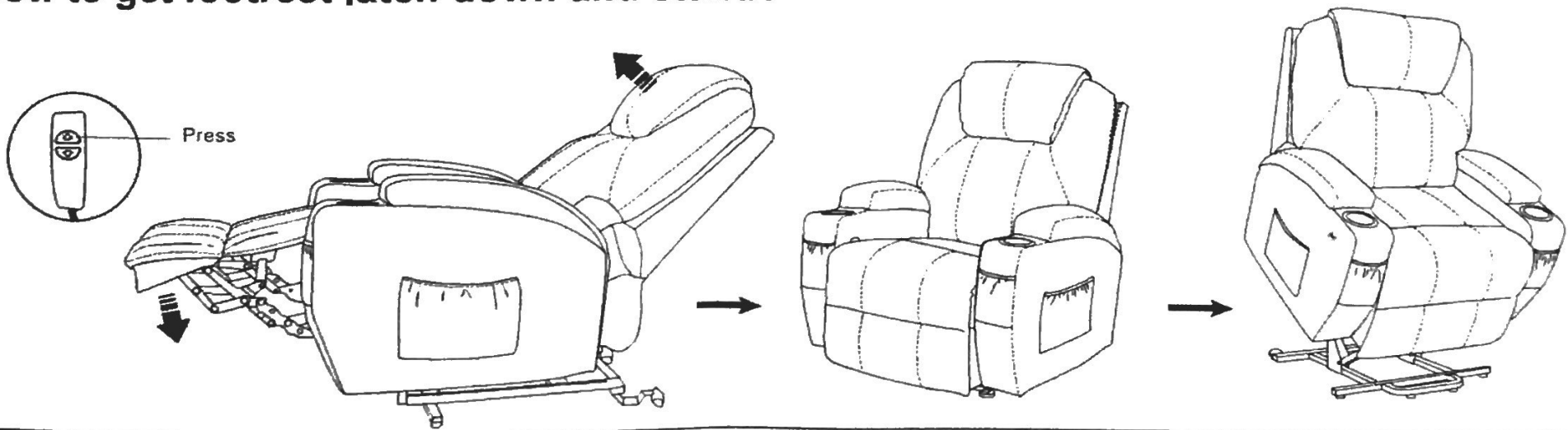


Massage Recliner Assembly Instruction

How to recline?

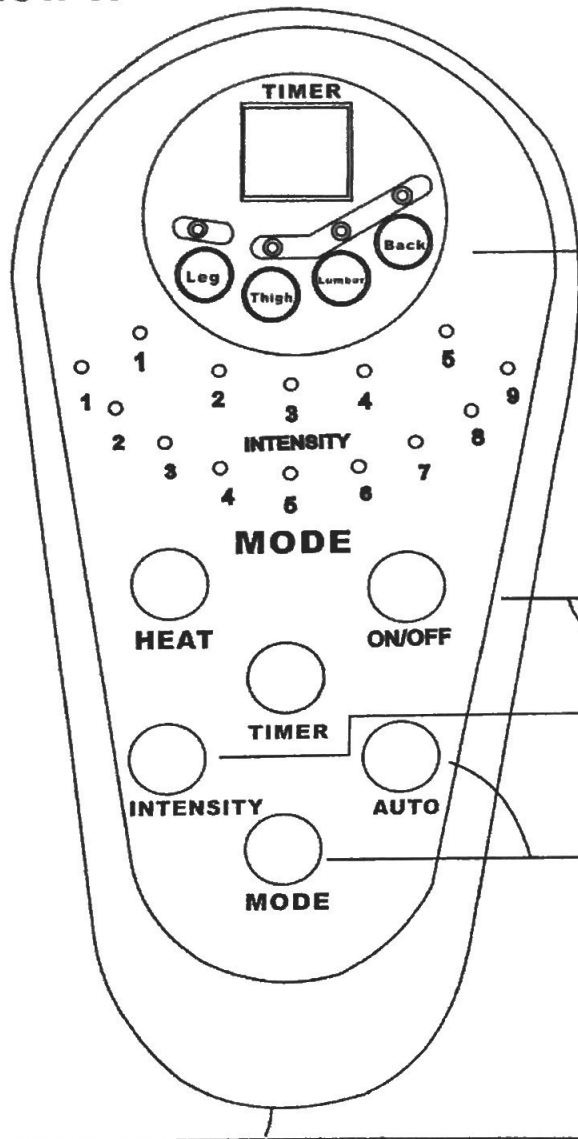


How to get footrest latch down and stand?



Massage Recliner Assembly Instruction

How to use remote control?



You can choose 1-4 massage parts(back,lumbar,thighs,legs)to enjoy

Tips: When you turn on the massage and heated function, you can press any of the four buttons twice, then the massage will be turned off and only the heated function works.

ON/OFF:Turn on/off remote control

HEAT:Turn on/off heat function for lumbar part only

INTENSITY:Control massage funcion from low to high

MODE:Choose one massage mode you like(pulse,press,wave,auto,normal)

Final Check

1. Ensure the two clips on each armrest are all inserted into the seat tightly. (There are two metal brackets on each side of the base, it looks like assembly finished when you insert armrest into only one bracket instead of two, but all pressure will apply to one bracket, that is one likely reason that the armrest fall apart from the seat)
2. All the wires are connected properly.

Q&A

Q: How to use the heated function only?

A: Turn on the massage and heated function, press any of the four buttons (back, lumbar, thigh, leg) twice, then the massage will be turned off and only the heated function works.

Q: What if my lift chair does not operate at all?

A: Check all the electrical cords are not crimped or pinched. Make sure the electric cord or plug is not damaged. Check the power supply to make sure the green LED power indicator light is on. Make sure all the connections are secured; refer to the Assembly Instructions.

Q: What if my lift chair is wobbly?

A: Check the base of the chair to make sure all the rubber seat retainers are not broken. Make sure the armrests are installed tightly; refer to the Assembly Instructions.

IMPORTANT: If the lift recliner still does not operate properly, please contact the Mcombo® Customer Service for help and never attempt to make any repairs or adjustments yourself.

Mcombo Customer Service

If for any reason, we have fallen short of your expectations, or if you have any questions and suggestions, please refer to the following contact us, we will do our best to work with you to make sure you are entirely satisfied.

Phone: 1-323-597-1109

E-mail: sales@mcombo.com (Respond within 24 hours)